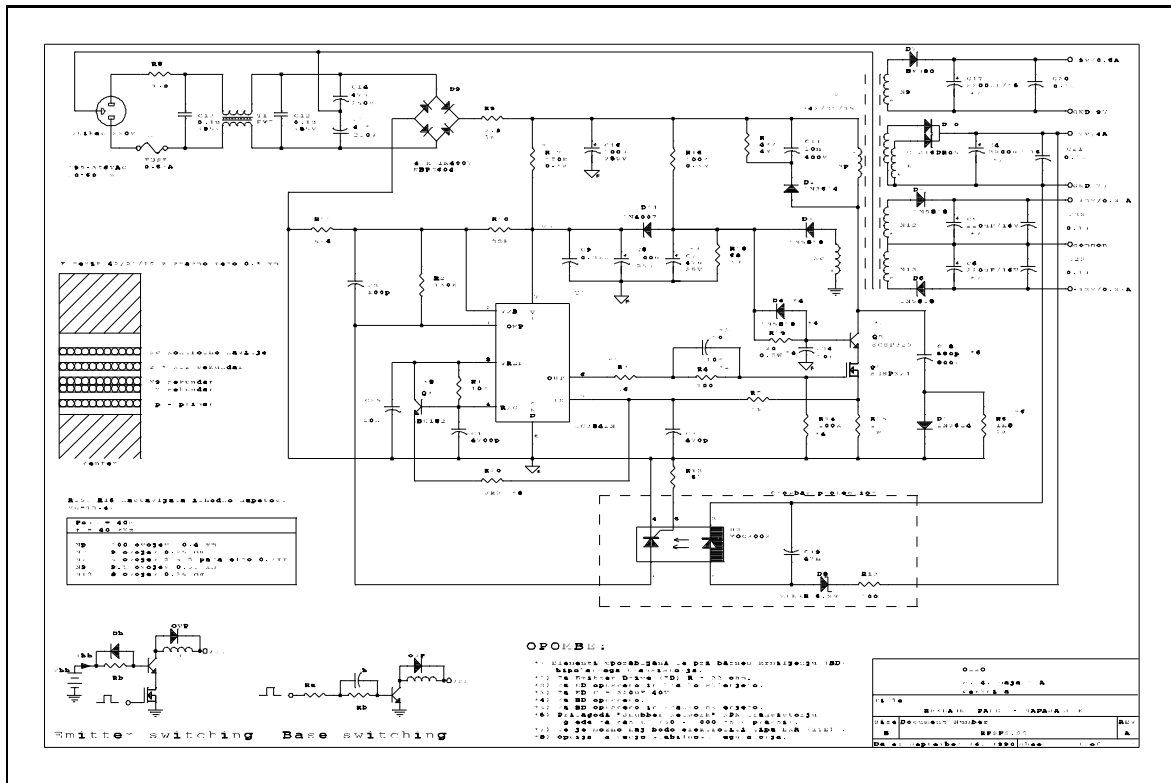


Off-line Switching regulator za reklamni panel.



REKLAMNI PANEL - NAPAVALNIK
RP\$PS.SCH

Revised: September 14, 1990
Revision: A

Bill Of Materials

September 24, 1990

16:07:19

Page 1

Item	Quantity	Reference	Part
1	1	U1	UC3842N
2	1	R1	10k
3	1	C1	4700p-keramika
4	1	C2	100p
5	1	R2	150k
6	1	C3	470p
7	2	C4,C17	2200uF/16
8	2	C5,C6	220uF/16V
9	1	C7,C8	22uF/25V
10	2	C16	50uF/385V
11	1	C9	0.22u-multilayer
12	1	R3	56 (22 ohm) *
13	2	R4,R13	100 (samo 1)
14	1	R5	1k
15	3	C10,C24,C25	10n-keramika
1	1	C11	10n/400V
16	2	D1,D2	1N3614
17	1	R6	1k8/2W
18	1	R7	4k7/4W
19	1	T1	ferit fi 16
20	6	C12,C13	0.1uF/385V
4	4	C20,C21,C22,C23	0.1u-keramika
21	1	R8	1/3W-zicni
22	1	R9	3.9/3W-zicni
23	1	F1	varovalka 0.63A
24	3	C14,C15	47n/250V
		C19	47n-keramika *
25	1	T2	ferit FEC35/17/11
26	1	C18	680p/800V
27	1	R10	22k
28	1	R11	5k6
29	1	R12	56k *
30	1	U2	MOC3003 *
31	1	J1	Vtirnica 220V
32	1	Q1	SGSP321
33	1	R14	100k
1	1	R16	82k/0.5W
34	1	R15	1.2/1W
35	4	D3,D4,D5,D6	1N5818
36	1	Q2	SGSF323

Opomba:
Material označen z zvezdico je opcijski.